

Service manual

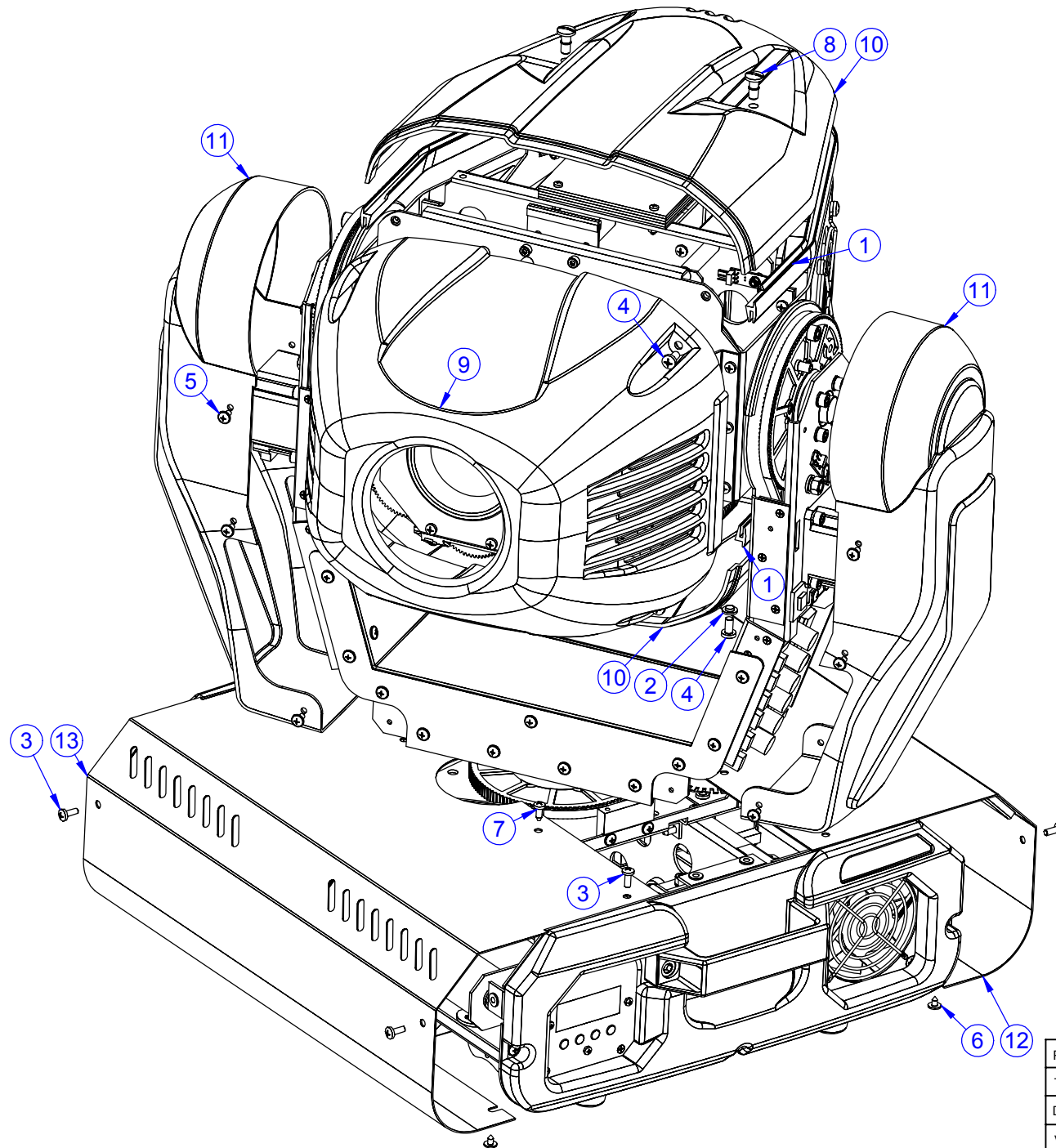
Spot 575 XT

Exploded Diagrams
Circuit Diagrams
Wiring Diagrams
Order Numbers

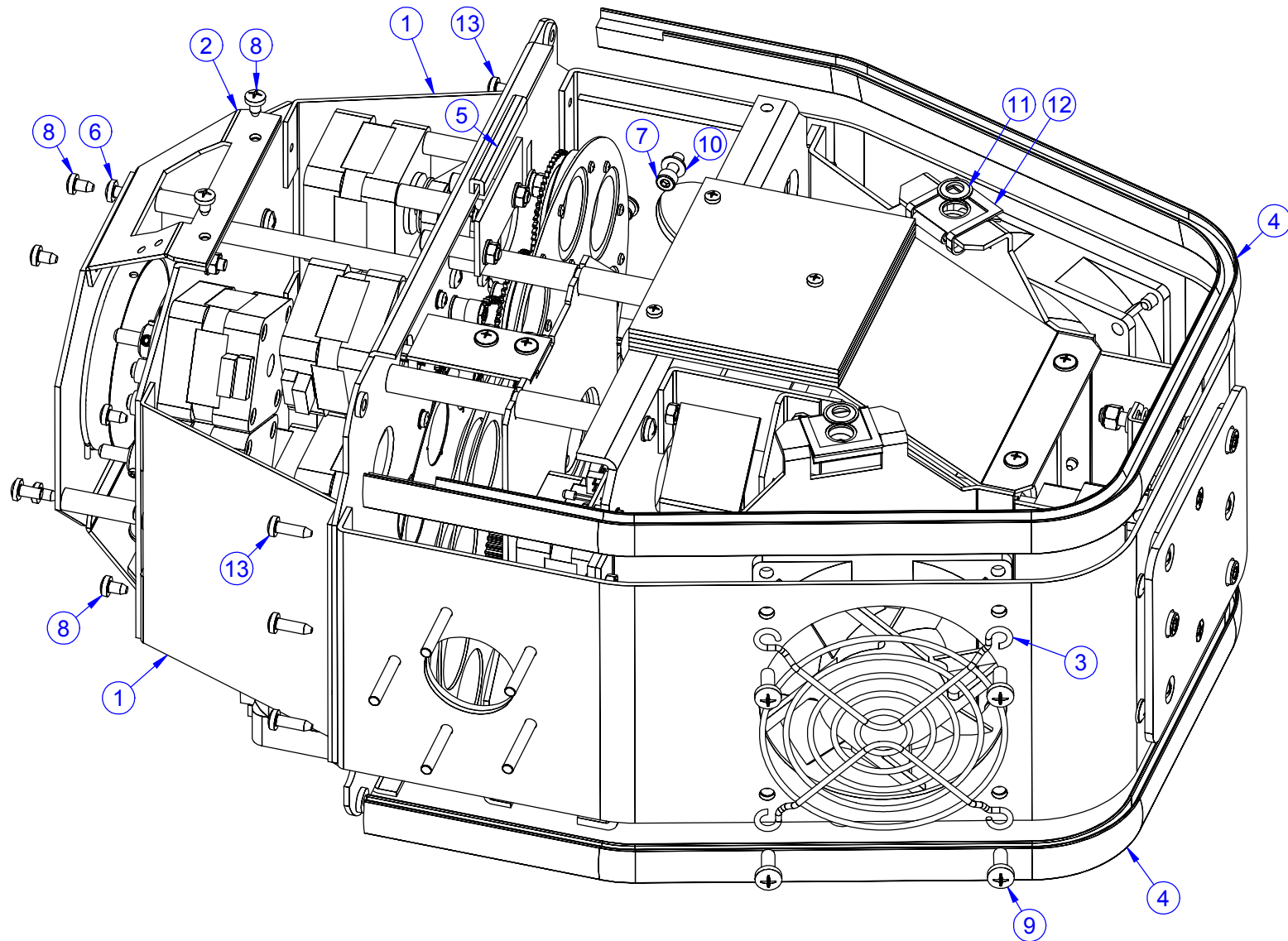


 **ROBE**
show lighting

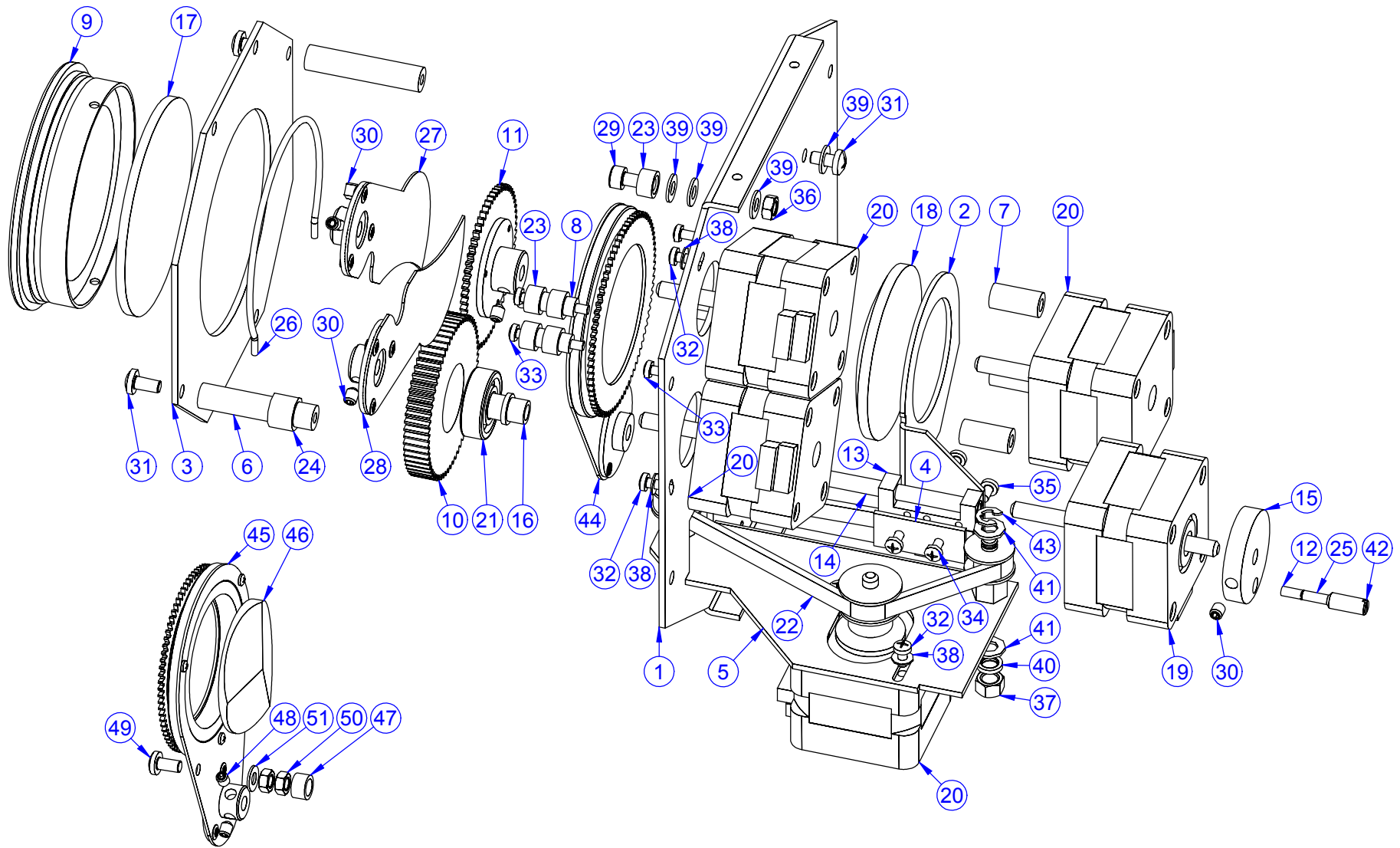
Version: B



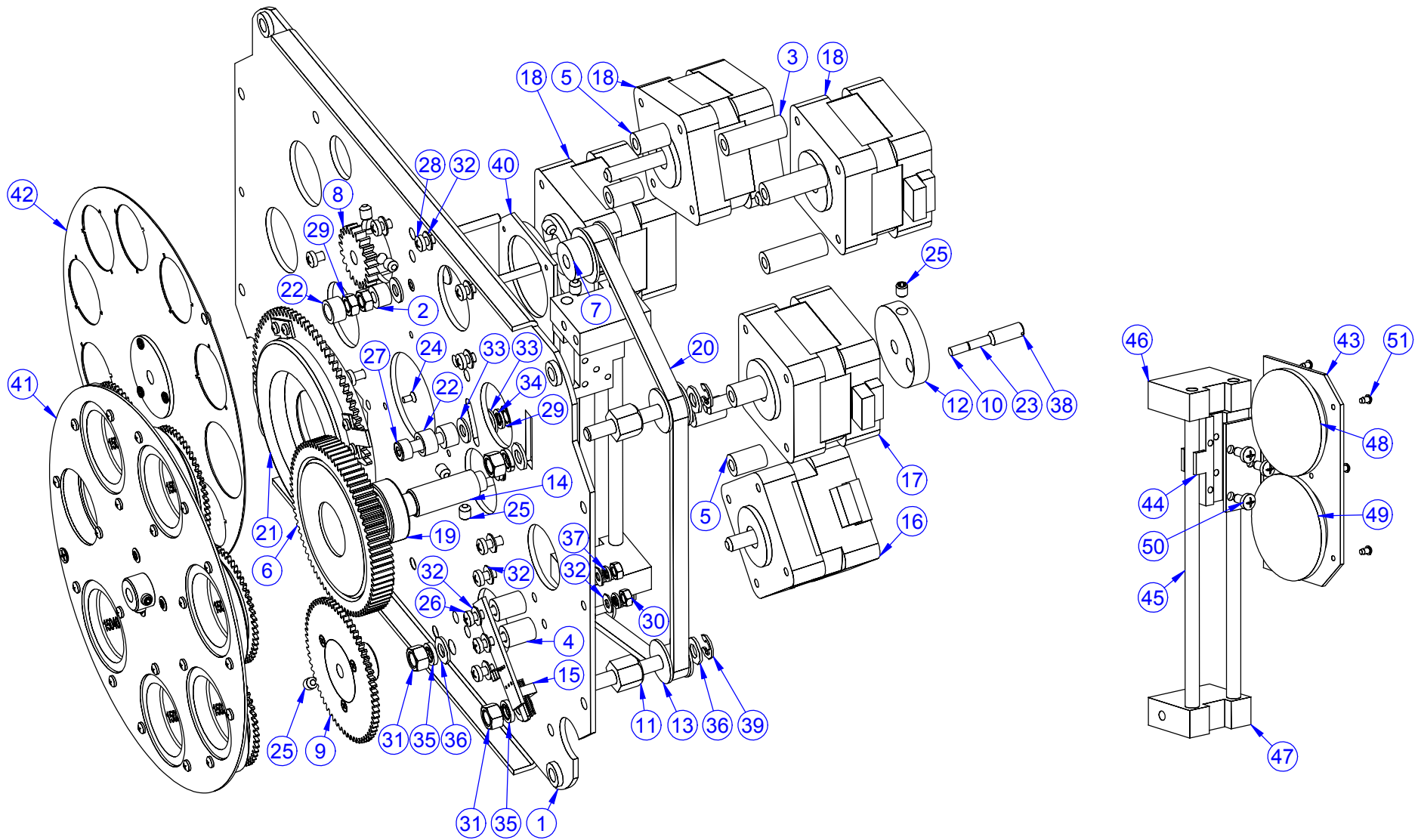
PRODUCT: Spot 575 XT		
TITLE: Covers		
DOCUMENT: 99010509		
VERSION: B	DATE: 1.4.2003	SHEET: 1 OF 15



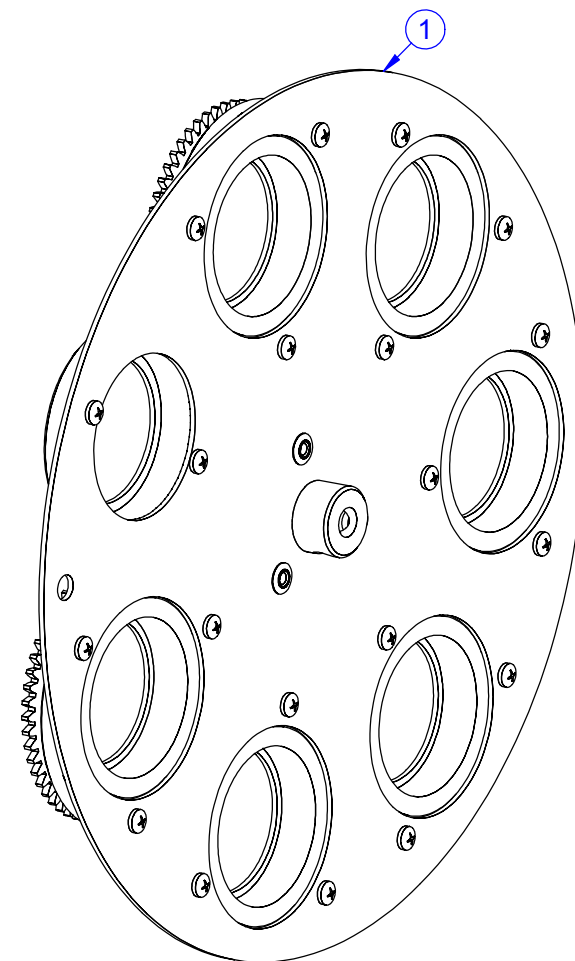
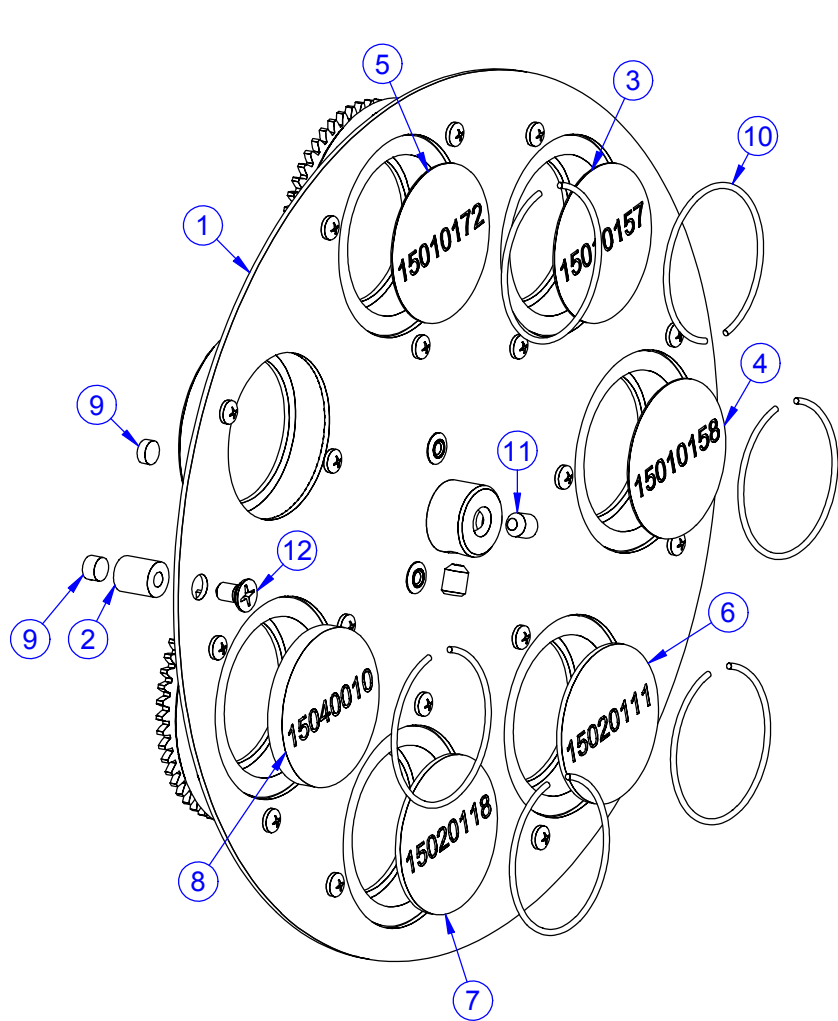
PRODUCT: Spot 575 XT		
TITLE: Assembly of head		
DOCUMENT: 99010506		
VERSION: B	DATE: 1.4.2003	SHEET: 2 OF 15



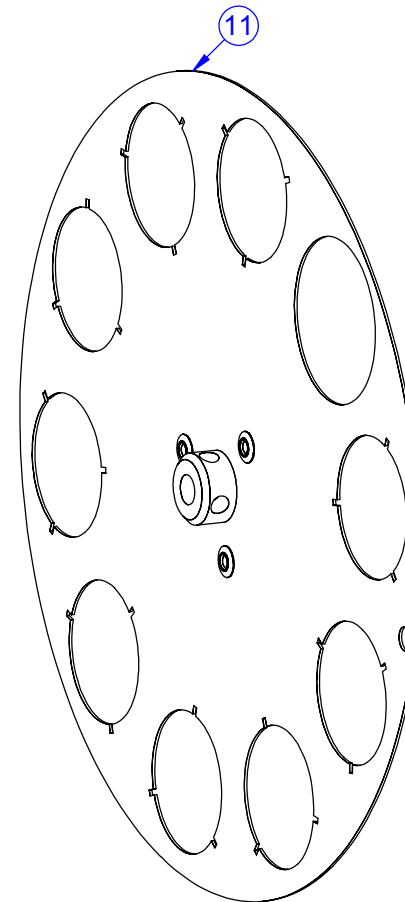
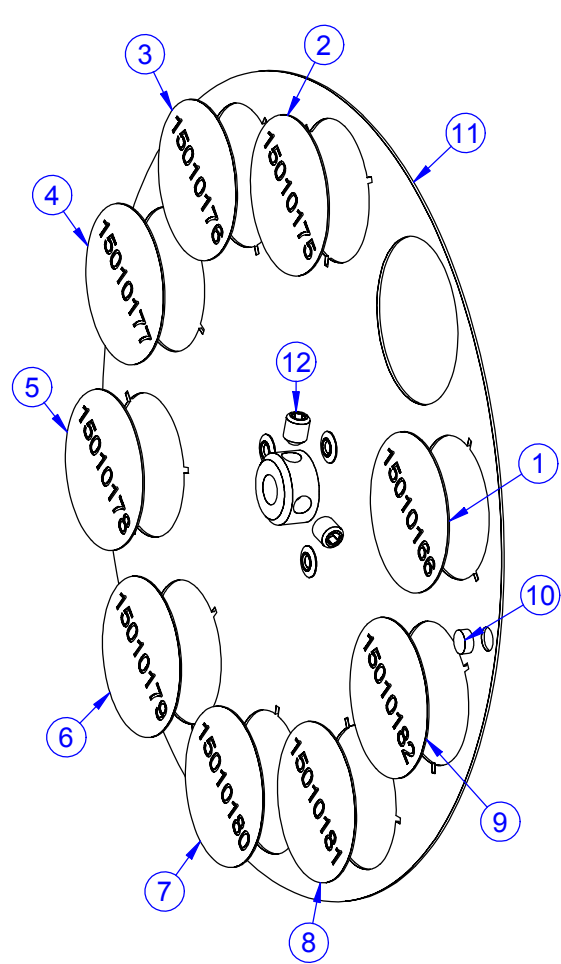
PRODUCT: Spot 575 XT		
TITLE: Blackoutprism module		
DOCUMENT: 99010506,99010009		
VERSION: B	DATE: 1.4.2003	SHEET: 3 OF 15



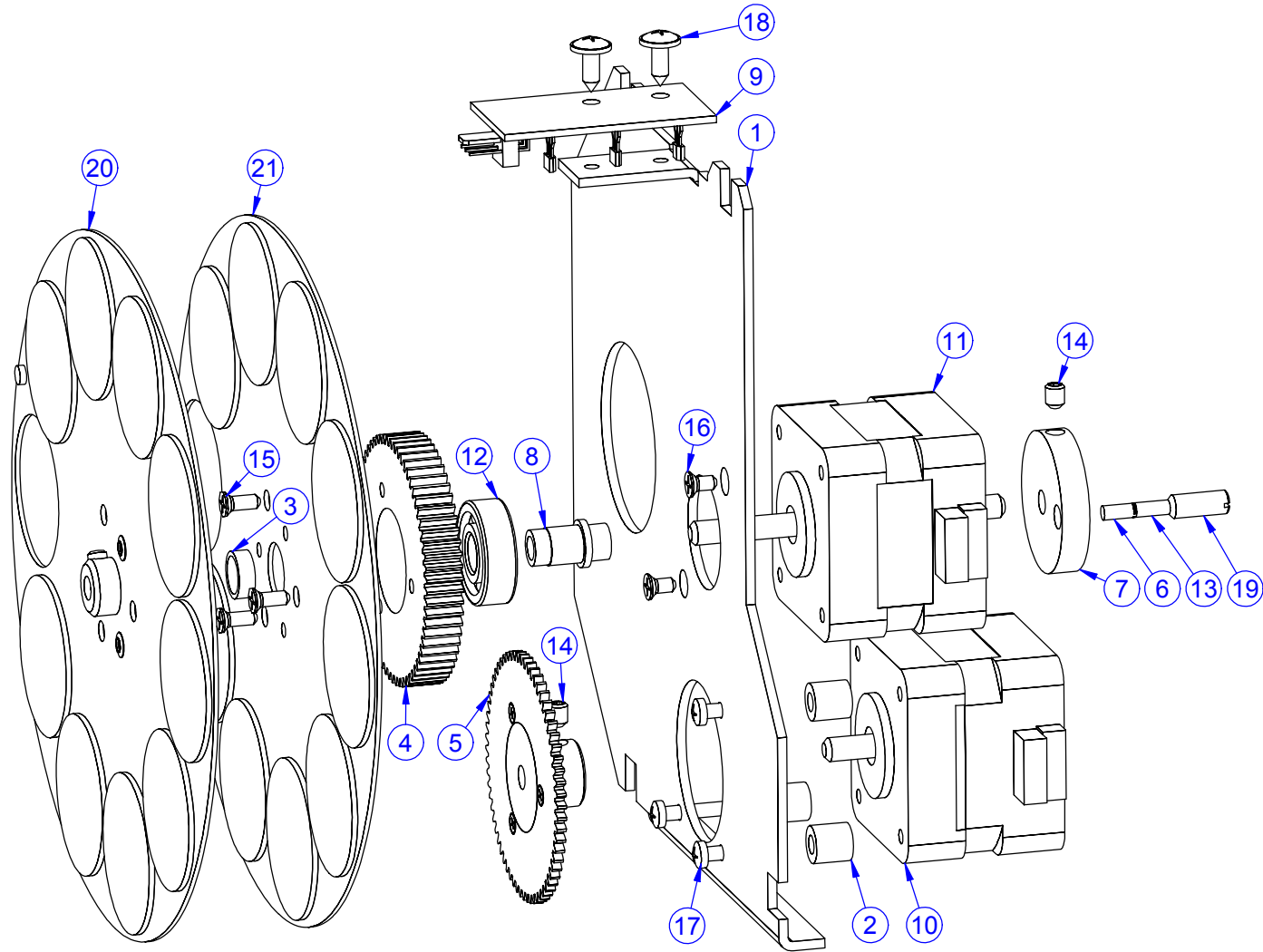
PRODUCT: Spot 575 XT		
TITLE: Gobo module		
DOCUMENT: 99010058,99010006		
VERSION: B	DATE: 1.4.2003	SHEET: 4 OF 15



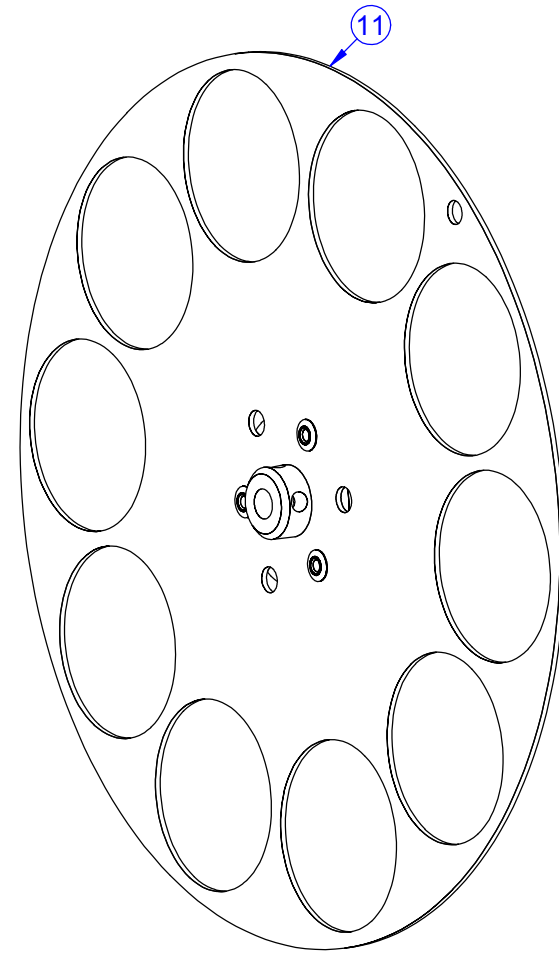
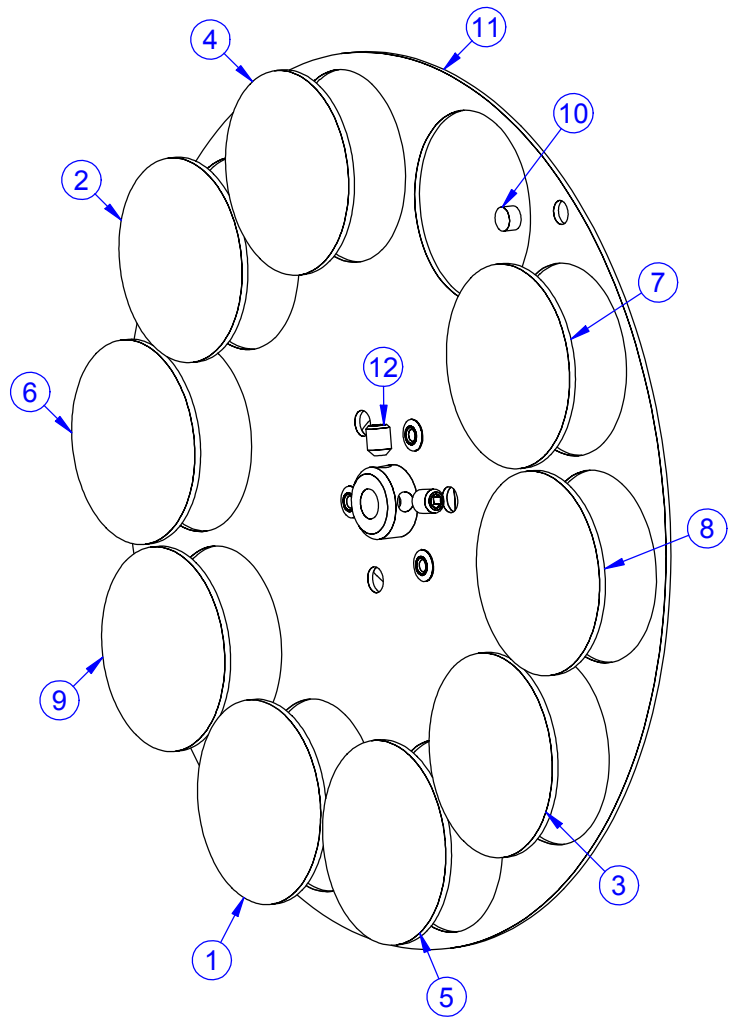
PRODUCT: Spot 575 XT		
TITLE: Gobo wheel R 6+1 "B"		
DOCUMENT: 99010056		
VERSION: B	DATE: 1.4.2003	SHEET: 5 OF 15



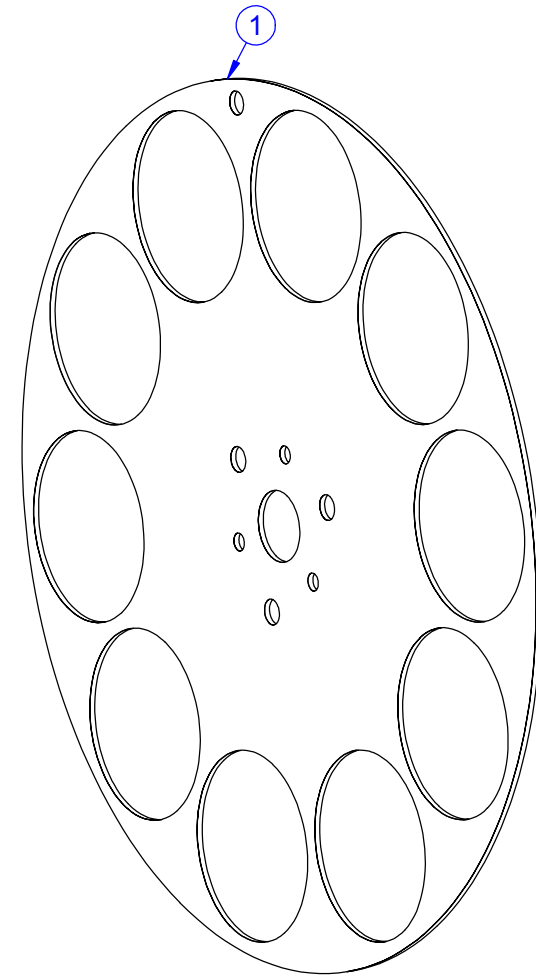
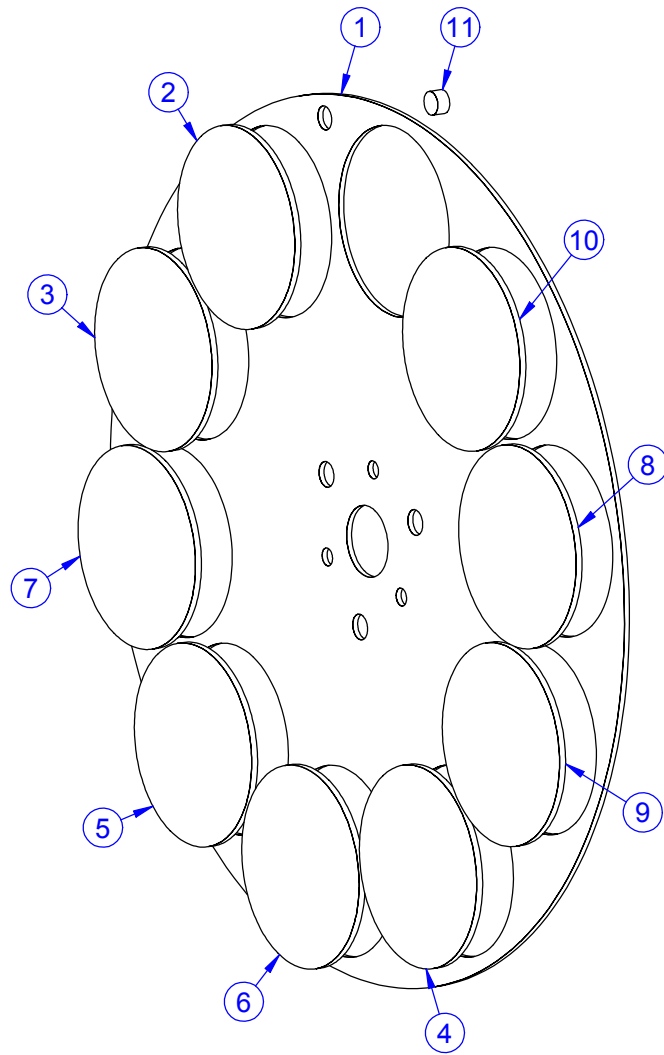
PRODUCT: Spot 575 XT		
TITLE: Gobo wheel FG 9+1		
DOCUMENT: 99010057		
VERSION: B	DATE: 1.4.2003	SHEET: 6 OF 15



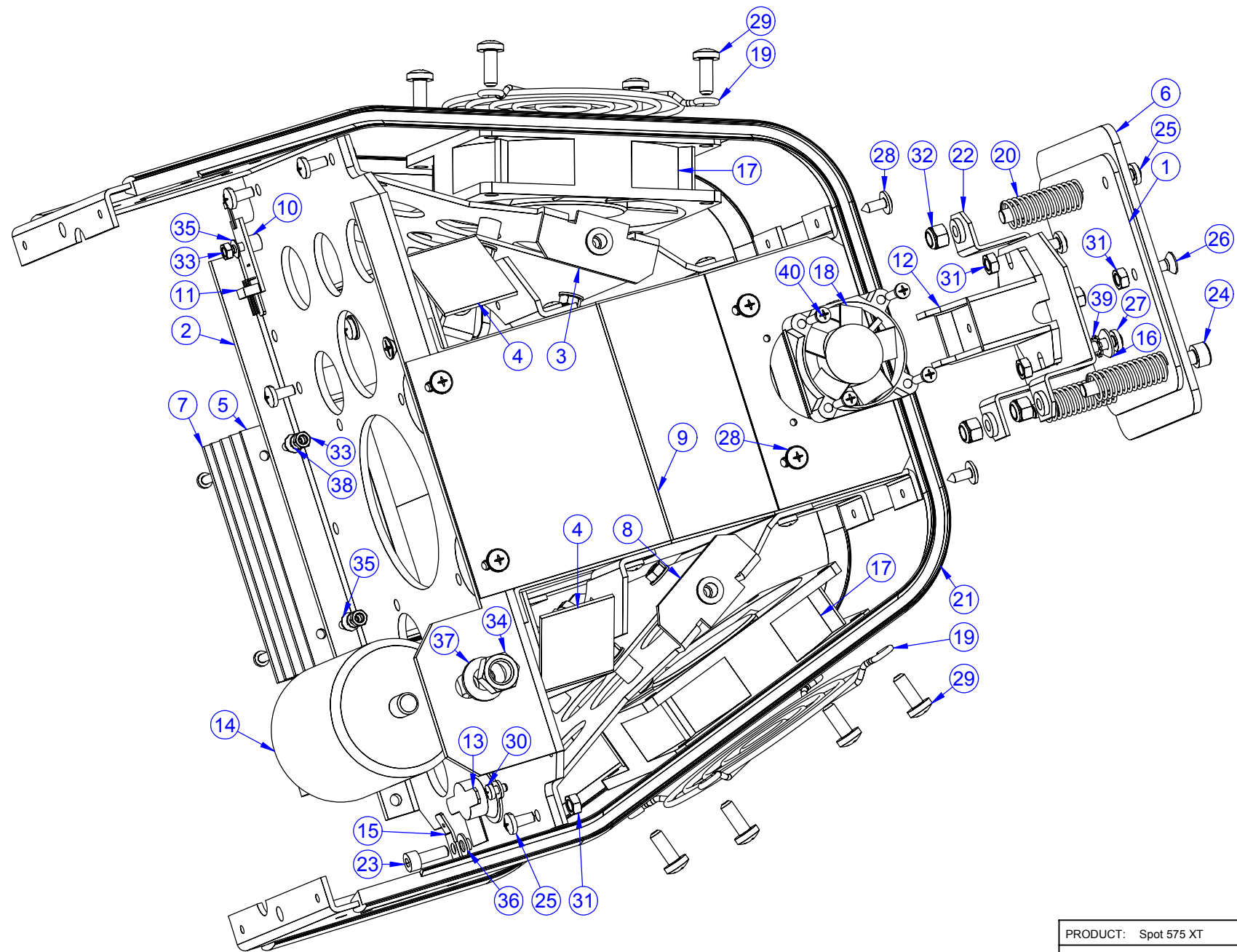
PRODUCT: Spot 575 XT		
TITLE: Colour module		
DOCUMENT: 99010005		
VERSION: B	DATE: 1.4.2003	SHEET: 7 OF 15



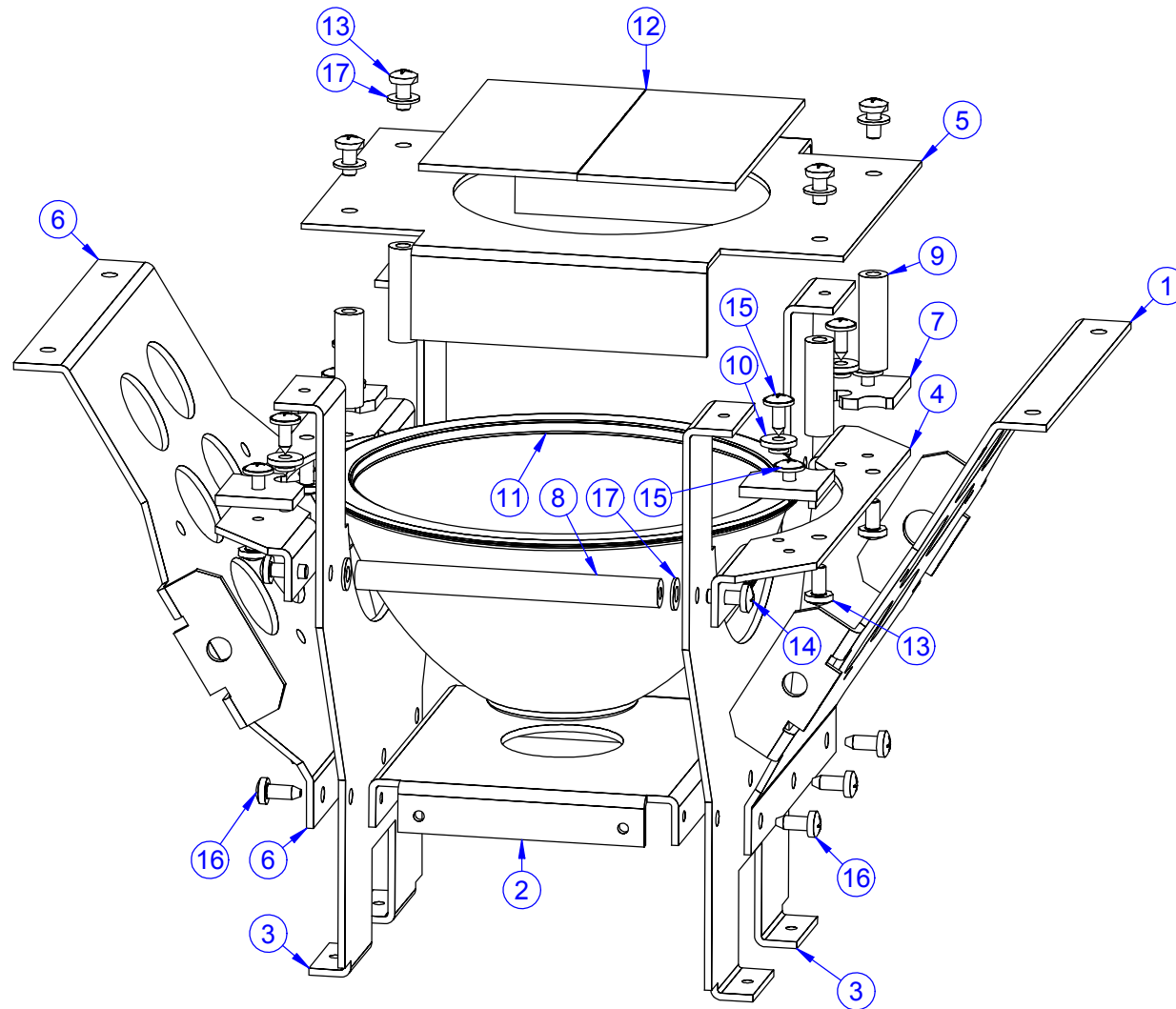
PRODUCT: Spot 575 XT		
TITLE: Colourwheel No.1		
DOCUMENT: 99010011		
VERSION: B	DATE: 1.4.2003	SHEET: 8 OF 15



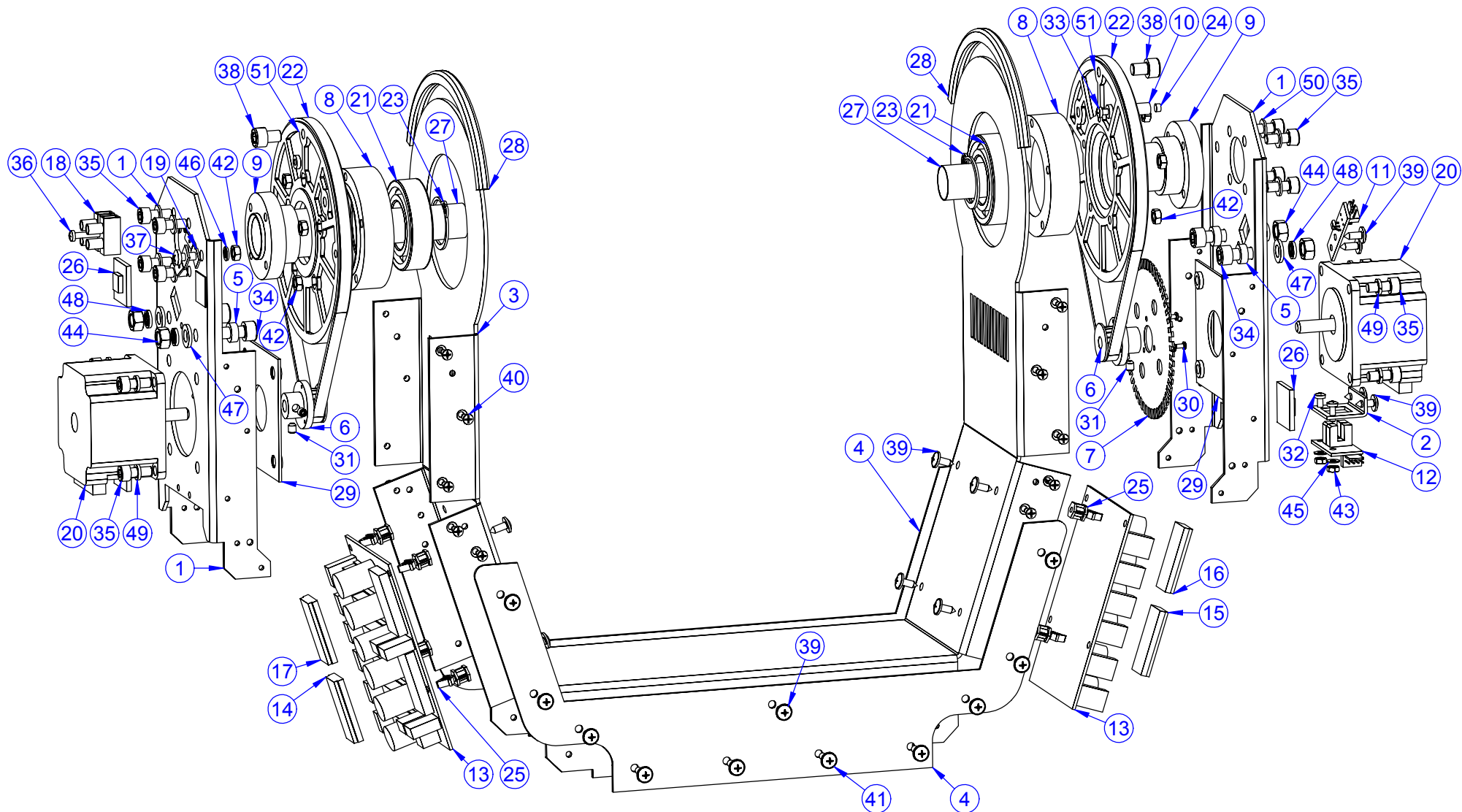
PRODUCT: Spot 575 XT		
TITLE: Colourwheel No.2		
DOCUMENT: 99010269		
VERSION: B	DATE: 1.4.2003	SHEET: 9 OF 15



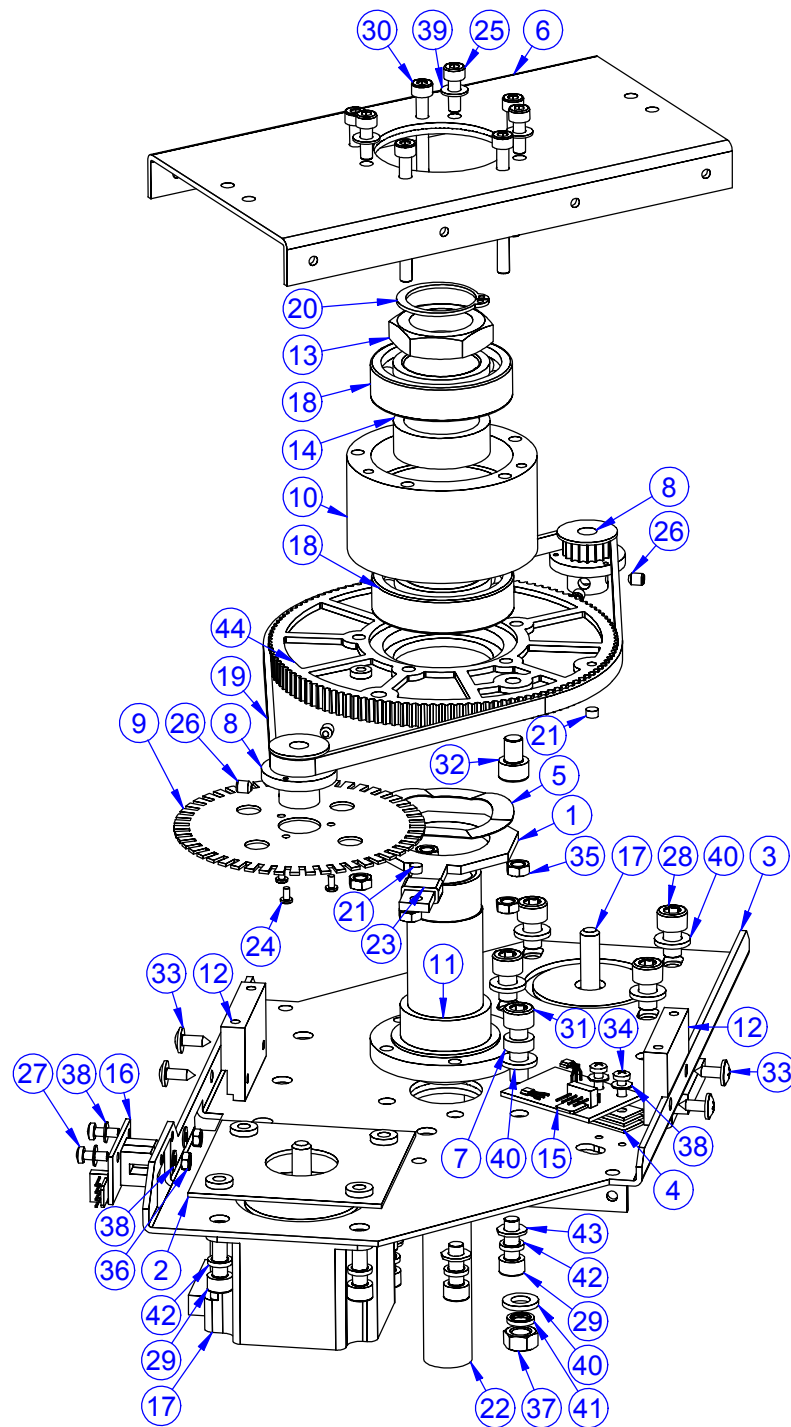
PRODUCT: Spot 575 XT		
TITLE: Source of light		
DOCUMENT: 99010623		
VERSION: B	DATE: 1.4.2003	SHEET: 10 OF 15



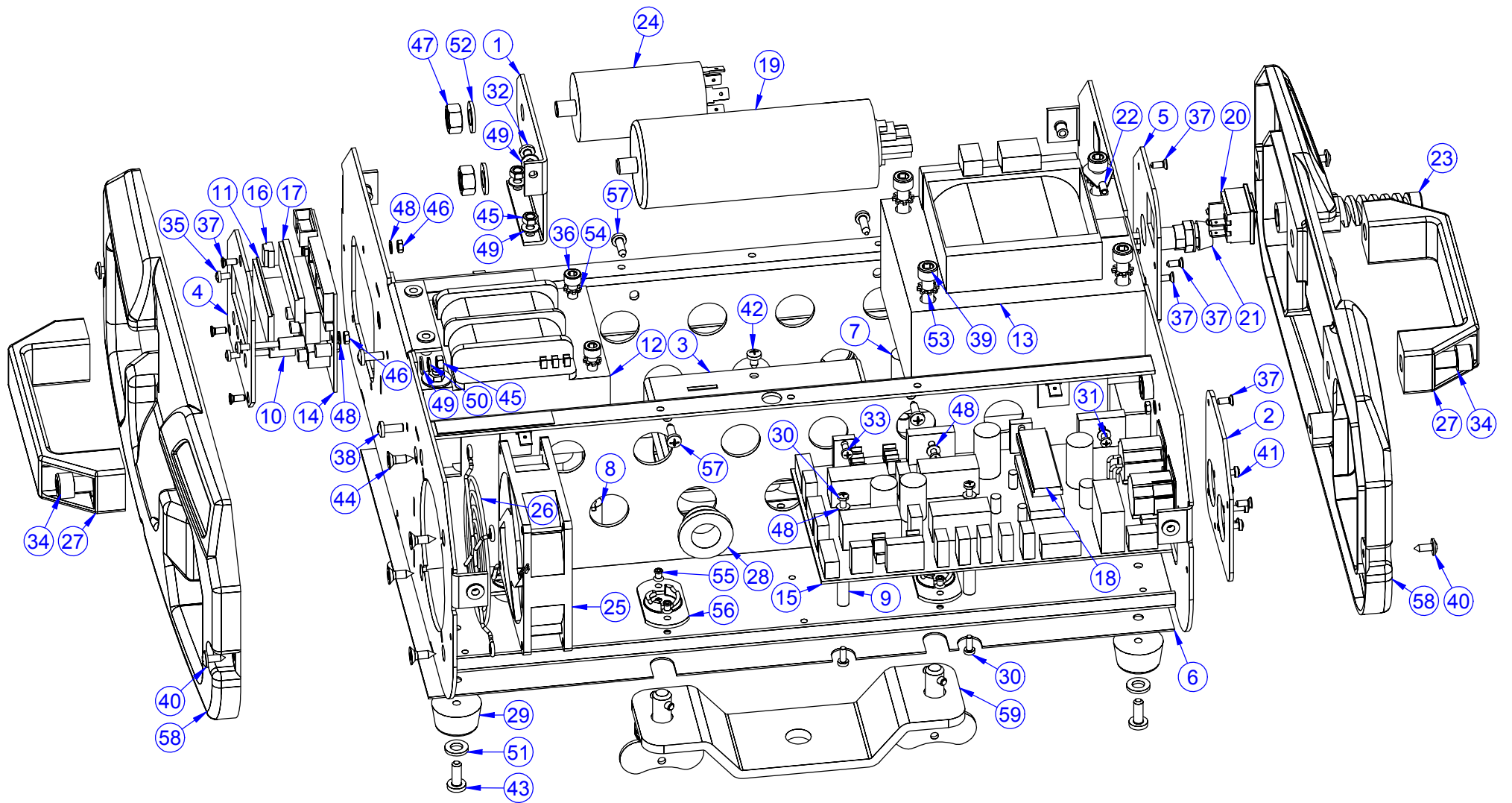
PRODUCT: Spot 575 XT		
TITLE: Reflector module		
DOCUMENT: 99010623		
VERSION: B	DATE: 1.4.2003	SHEET: 11 OF 15



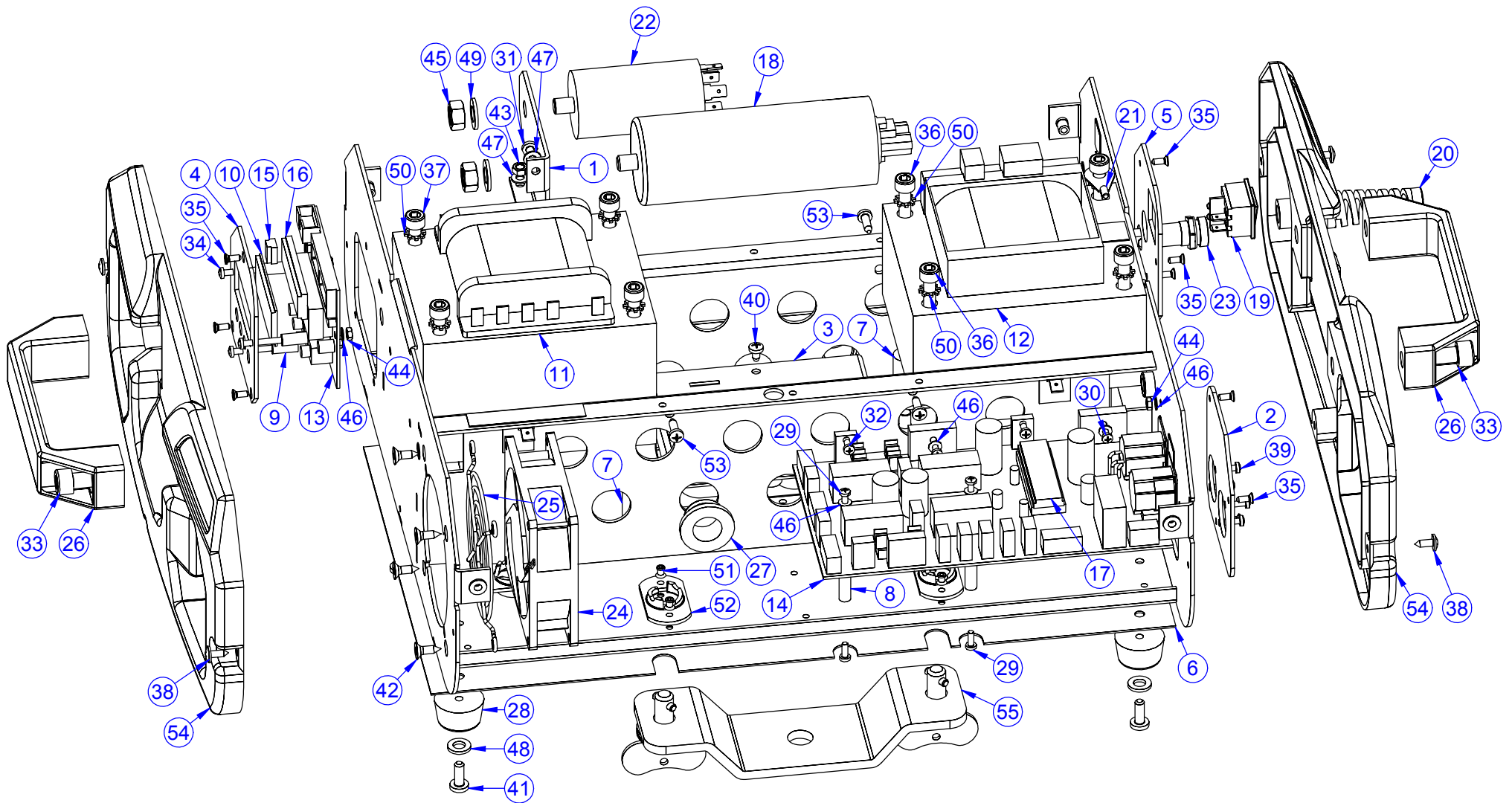
PRODUCT: Spot 575 XT		
TITLE: Arm of head		
DOCUMENT: 99010507		
VERSION: B	DATE: 1.4.2003	SHEET: 12 OF 15



PRODUCT: Spot 575 XT		
TITLE: Axe "X"		
DOCUMENT: 99010253		
VERSION: B	DATE: 1.4.2003	SHEET: 13 OF 15



PRODUCT: Spot 575 XT		
TITLE: Base - 230V version		
DOCUMENT: 99010508		
VERSION: B	DATE: 1.4.2003	SHEET: 14 OF 15



PRODUCT: Spot 575 XT		
TITLE: Base - 120V version		
DOCUMENT: 99010525		
VERSION: B	DATE: 1.4.2003	SHEET: 15 OF 15

Rear Page Sheet 1 of 15

Page/Position	Part number	Part description	Device
1/1	17030035	Rubber H/2 profile black	Spot 575 XT
1/2	17030040	Plastic washer 5,2	Spot 575 XT
1/3	18010037	Screw crosswise cup headed M4x10	Spot 575 XT
1/4	18010041	Screw crosswise cup headed M5x10	Spot 575 XT
1/5	18020001	Screw self-tapping PHILIPS 3,5x9,5	Spot 575 XT
1/6	18020003	Screw self-tapping PHILIPS 3,5x6,5	Spot 575 XT
1/7	18020004	Screw self-tapping 3,9x9,5	Spot 575 XT
1/8	18060014	Screw 6 DZUS	Spot 575 XT
1/9	19010011	Cover of hed front T (plastic)	Spot 575 XT
1/10	19010012	Cover of hed rear T (plastic)	Spot 575 XT
1/11	19010013	Cover of arm T (plastic)	Spot 575 XT
1/12	99010504	Cover of Base	Spot 575 XT
1/13	99010505	Cover of base with display printing	Spot 575 XT

Rear Page Sheet 2 of 15

Page/Position	Part number	Part description	Device
2/1	11010110	Contact of module	Spot 575 XT
2/2	11010124	Holder module of objective	Spot 575 XT
2/3	17030026	Grill of fan 92x92 mm black	Spot 575 XT
2/4	17030035	Rubber H/2 profile black	Spot 575 XT
2/5	17030041	Rubber U profile l=50mm	Spot 575 XT
2/6	18010015	Screw crosswise cup headed M4x8	Spot 575 XT
2/7	18010030	Screw socket head cap M4x30	Spot 575 XT
2/8	18020005	Screw self-tapping 3,9x6,5	Spot 575 XT
2/9	18020008	Screw self-tapping 4,8x13	Spot 575 XT
2/10	18050002	Washer M4 black	Spot 575 XT
2/11	18060015	Washer 6 DZUS	Spot 575 XT
2/12	18060016	Nut 6 DZUS	Spot 575 XT
2/13	18520015	Screw self-tapping 3,9x13	Spot 575 XT

Rear Page Sheet 3 of 15

Page/Position	Part number	Part description	Device
3/1	11010007	Module blackout-prism	Spot 575 XT
3/2	11010008	Holder of focus lens	Spot 575 XT
3/3	11010064	Module of objective	Spot 575 XT
3/4	11010112	Holder of focus betl	Spot 575 XT
3/5	11010255	Module focus	Spot 575 XT
3/6	12010002	Spacer D8xL37,5/2xM4	Spot 575 XT
3/7	12020004	Spacer d4xD8xL16	Spot 575 XT
3/8	12020033	Spacer d3xD6xL16	Spot 575 XT
3/9	12030011	Holder objectiv lens D70 "2"	Spot 575 XT
3/10	12040026	Toothwheel rubber D52 z64 m0,8 L8	Spot 575 XT
3/11	12040040	Toothwheel plastic D52,8 z=64 m0,8	Spot 575 XT
3/12	12050003	Teflon D3 L7	Spot 575 XT
3/13	12050004	Spacer of Zoom 004	Spot 575 XT
3/14	12050008	Interposer bar Focus 008	Spot 575 XT
3/15	12050014	Holder damper device D30/1	Spot 575 XT
3/16	12050029	Spacer ball bearing 608	Spot 575 XT
3/17	14040017	Lens D70 BCX +0+3,5 Antireflex	Spot 575 XT
3/18	14040029	Lens D56 +8D Antireflex	Spot 575 XT
3/19	16010012	Steppermotor 17PM-KO11-03V (2Axis)	Spot 575 XT
3/20	16010013	Steppermotor 17PM-KO11-04V (1Axis)	Spot 575 XT
3/21	17010011	Ball Bearing 608 2ZR	Spot 575 XT
3/22	17020001	Belt 270 RPP3/06	Spot 575 XT
3/23	17030004	Rubber d5 L5	Spot 575 XT
3/24	17030006	Rubber d8 L8	Spot 575 XT
3/25	17030007	Spring compressive D3 L9	Spot 575 XT
3/26	17030021	Spring objectiv-lock "1"	Spot 575 XT
3/27	17040054	Lamelle "Black out" upper with flange	Spot 575 XT
3/28	17040055	Lamelle "Black out" lover with flange	Spot 575 XT
3/29	18010004	Screw socket head cap M4x10	Spot 575 XT
3/30	18010007	Screw f. adjusting hexagon socket M4x5	Spot 575 XT
3/31	18010015	Screw crosswise cup headed M4x8	Spot 575 XT
3/32	18010016	Screw crosswise cup headed M3x6	Spot 575 XT
3/33	18010017	Screw crosswise cup headed M3x22	Spot 575 XT
3/34	18020002	Screw self-tapping 2,9x9,5	Spot 575 XT
3/35	18020009	Screw self-tapping 2,9x6,5	Spot 575 XT
3/36	18040001	Nut M4 black	Spot 575 XT
3/37	18040012	Nut M5 black	Spot 575 XT
3/38	18050001	Washer M3 black	Spot 575 XT
3/39	18050002	Washer M4 black	Spot 575 XT
3/40	18050006	Washer M5 selflock - black	Spot 575 XT
3/41	18050007	Washer M5 black	Spot 575 XT
3/42	18060001	Screw drilled M5x16	Spot 575 XT
3/43	18060020	Lock ring 4	Spot 575 XT
3/44	99010009	Prism - assembled	Spot 575 XT
3/45	11020078	Yoke Prism without Prism lens	Spot 575 XT
3/46	14050010	Prism lens D47/3	Spot 575 XT
3/47	17030004	Rubber d5 L5	Spot 575 XT
3/48	18010007	Screw f. adjusting hexagon socket M4x5	Spot 575 XT
3/49	18010015	Screw crosswise cup headed M4x8	Spot 575 XT
3/50	18040001	Nut M4 black	Spot 575 XT
3/51	18050002	Washer M4 black	Spot 575 XT

Rear Page Sheet 4 of 15

Page/Position	Part number	Part description	Device
4/1	11010002	Module gobo-rot. "86"	Spot 575 XT
4/2	12020001	Spacer D8xd4xL5	Spot 575 XT
4/3	12020002	Spacer d4xD8xL23	Spot 575 XT
4/4	12020007	Spacer d4xD8xL10,5	Spot 575 XT
4/5	12020024	Spacer D8xL12	Spot 575 XT
4/6	12040001	Toothwheel rubber D64 z78 m08	Spot 575 XT
4/7	12040004	Toothwheel RPP3 D16,3	Spot 575 XT
4/8	12040017	Toothwheel D23 z=21 m1	Spot 575 XT
4/9	12040040	Toothwheel plastic D52,8 z=64 m0,8	Spot 575 XT
4/10	12050003	Teflon D3 L7	Spot 575 XT
4/11	12050007	Pivot D12 L32	Spot 575 XT
4/12	12050014	Holder damper device D30/1	Spot 575 XT
4/13	12050024	Roller D16 L9	Spot 575 XT
4/14	12050108	Spacer axes of stepper motor 108	Spot 575 XT
4/15	13030017	PCB MAG-4 version "A"	Spot 575 XT
4/16	16010008	Stepper motor 17PM-KO11-04V (1Axis short 14)	Spot 575 XT
4/17	16010012	Stepper motor 17PM-KO11-03V (2Axis)	Spot 575 XT
4/18	16010013	Stepper motor 17PM-KO11-04V (1Axis)	Spot 575 XT
4/19	17010011	Ball Bearing 608 2ZR	Spot 575 XT
4/20	17020011	Belt 447 RPP3/06	Spot 575 XT
4/21	17030002	Iris 40mm	Spot 575 XT
4/22	17030004	Rubber d5 L5	Spot 575 XT
4/23	17030007	Spring compressive D3 L9	Spot 575 XT
4/24	18010006	Screw crosswise cup countersink M2x4	Spot 575 XT
4/25	18010007	Screw f. adjusting hexagon socket M4x5	Spot 575 XT
4/26	18010027	Screw crosswise cup headed M3x20	Spot 575 XT
4/27	18010051	Screw socket head cap M4x14	Spot 575 XT
4/28	18010052	Screw crosswise cup headed M3x30	Spot 575 XT
4/29	18040001	Nut M4 black	Spot 575 XT
4/30	18040005	Nut M3 black	Spot 575 XT
4/31	18040012	Nut M5 black	Spot 575 XT
4/32	18050001	Washer M3 black	Spot 575 XT
4/33	18050002	Washer M4 black	Spot 575 XT
4/34	18050003	Washer M4 selflock - black	Spot 575 XT
4/35	18050006	Washer M5 selflock - black	Spot 575 XT
4/36	18050007	Washer M5 black	Spot 575 XT
4/37	18050009	Washer M3 selflock - black	Spot 575 XT
4/38	18060001	Screw drilled M5x16	Spot 575 XT
4/39	18060020	Lock ring 4	Spot 575 XT
4/40	99010006	ZOOM - assembled	Spot 575 XT
4/41	99010056	Wheel Gobo R 6+1 "B"	Spot 575 XT
4/42	99010057	Wheel Gobo S 9+1 T	Spot 575 XT
4/43	11010006	Multistep ZOOM	Spot 575 XT
4/44	12050004	Spacer of Zoom 004	Spot 575 XT
4/45	12050005	Interposer bar Zoom 005	Spot 575 XT
4/46	12050006	Holder of Interposer bar Zoom 005	Spot 575 XT
4/47	12050017	Holder of Interposer bar Zoom "B"	Spot 575 XT
4/48	14040002	Lens D38 PCX +0+8D F=131 Antireflex	Spot 575 XT
4/49	14040003	Lens D38 PCX +0+12,4D F=85 Antireflex	Spot 575 XT
4/50	18020009	Screw self-tapping 2,9x6,5	Spot 575 XT
4/51	18060017	Rivet grooved 1.85x3.17	Spot 575 XT

Rear Page Sheet 5 of 15

Page/Position	Part number	Part description	Device
5/1	11020077	Wheel Gobo R 6+1 without Gobos	Spot 575 XT
5/2	12050703-01	Spacer of magnet "1"	Spot 575 XT
5/3	15010157	Gobo Al. 27/55 th.0,5	Spot 575 XT
5/4	15010158	Gobo Al. 27/52 th.0,5	Spot 575 XT
5/5	15010172	Gobo Al. 27/33 th.0,5	Spot 575 XT
5/6	15020111	Gobo dichroic 26,8/11 blue	Spot 575 XT
5/7	15020118	Gobo dichroic 26,8/18 magenta	Spot 575 XT
5/8	15040010	Gobo glass 11/536/26,8	Spot 575 XT
5/9	17030015	Magnet D4/2,4mm	Spot 575 XT
5/10	17030019	Spring gobo-lock "1"	Spot 575 XT
5/11	18010007	Screw f. adjusting hexagon socket M4x5	Spot 575 XT
5/12	18010033	Screw crosswise cup countersink M3x6	Spot 575 XT

Rear Page Sheet 6 of 15

Page/Position	Part number	Part description	Device
6/1	15010166	Gobo Al. 27/45 th.0,5	Spot 575 XT
6/2	15010175	Gobo Al. 27/62 th.0,5	Spot 575 XT
6/3	15010176	Gobo Al. 27/63 th.0,5	Spot 575 XT
6/4	15010177	Gobo Al. 27/64 th.0,5	Spot 575 XT
6/5	15010178	Gobo Al. 27/65 th.0,5	Spot 575 XT
6/6	15010179	Gobo Al. 27/66 th.0,5	Spot 575 XT
6/7	15010180	Gobo Al. 27/67 th.0,5	Spot 575 XT
6/8	15010181	Gobo Al. 27/68 th.0,5	Spot 575 XT
6/9	15010182	Gobo Al. 27/69 th.0,5	Spot 575 XT
6/10	17030014	Magnet D4/1,6mm	Spot 575 XT
6/11	17040009	Wheel Gobo S 9+1 without Gobos	Spot 575 XT
6/12	18010007	Screw f. adjusting hexagon socket M4x5	Spot 575 XT

Rear Page Sheet 7 of 15

Page/Position	Part number	Part description	Device
7/1	11010004	Module color "86"	Spot 575 XT
7/2	12020005	Spacer d4xD8xL8	Spot 575 XT
7/3	12020049	Spacer D10xD8xL3,5	Spot 575 XT
7/4	12040021	Toothwheel D52,8 z64 m0,8 +3xM3	Spot 575 XT
7/5	12040040	Toothwheel plastic D52,8 z=64 m0,8	Spot 575 XT
7/6	12050003	Teflon D3 L7	Spot 575 XT
7/7	12050014	Holder damper device D30/1	Spot 575 XT
7/8	12050056	Spacer D10xL16,5	Spot 575 XT
7/9	13030001	PCB MAG-8 version "A"	Spot 575 XT
7/10	16010008	Steppermotor 17PM-KO11-04V (1Axis short 14)	Spot 575 XT
7/11	16010012	Steppermotor 17PM-KO11-03V (2Axis)	Spot 575 XT
7/12	17010011	Ball Bearing 608 2ZR	Spot 575 XT
7/13	17030007	Spring compressive D3 L9	Spot 575 XT
7/14	18010007	Screw f. adjusting hexagon socket M4x5	Spot 575 XT
7/15	18010032	Screw crosswise cup countersink M3x8	Spot 575 XT
7/16	18010033	Screw crosswise cup countersink M3x6	Spot 575 XT
7/17	18010034	Screw crosswise cup headed M3x14	Spot 575 XT
7/18	18020001	Screw self-tapping PHILIPS 3,5x9,5	Spot 575 XT
7/19	18060001	Screw drilled M5x16	Spot 575 XT
7/20	99010011	Wheel Color 9+1 flange	Spot 575 XT
7/21	99010269	Wheel Color 9+1 without toothwheel	Spot 575 XT

Rear Page Sheet 8 of 15

Page/Position	Part number	Part description	Device
8/1	14070041	Dichro 34,5 yellow LW 520	Spot 575 XT
8/2	14070042	Dichro 34,5 red LW 610	Spot 575 XT
8/3	14070043	Dichro 34,5 cyan SW 570	Spot 575 XT
8/4	14070044	Dichro 34,5 light blue SW 530	Spot 575 XT
8/5	14070045	Dichro 34,5 magenta SL 4763	Spot 575 XT
8/6	14070046	Dichro 34,5 blue SW 510	Spot 575 XT
8/7	14070047	Dichro 34,5 orange LW 580	Spot 575 XT
8/8	14070048	Dichro 34,5 green WB 5055	Spot 575 XT
8/9	14070049	Dichro 34,5 light green WB 5059	Spot 575 XT
8/10	17030015	Magnet D4/2,4mm	Spot 575 XT
8/11	17040011	Wheel Color 9+1 flange without Dichro-filters	Spot 575 XT
8/12	18010007	Screw f. adjusting hexagon socket M4x5	Spot 575 XT

Rear Page Sheet 9 of 15

Page/Position	Part number	Part description	Device
9/1	11020001	Wheel Color 9+1 without Dichro-filters	Spot 575 XT
9/2	14070039	Dichro 34,5 deep red LW 640	Spot 575 XT
9/3	14070040	Dichro 34,5 deep blue SW 490	Spot 575 XT
9/4	14070041	Dichro 34,5 yellow LW 520	Spot 575 XT
9/5	14070043	Dichro 34,5 cyan SW 570	Spot 575 XT
9/6	14070045	Dichro 34,5 magenta SL 4763	Spot 575 XT
9/7	14070051	Dichro 34,5 pink SL 4758	Spot 575 XT
9/8	14070052	Dichro 34,5 convers TC 32LT	Spot 575 XT
9/9	14070053	Dichro 34,5 convers DL542	Spot 575 XT
9/10	14070054	Dichro 34,5 UV SW 460	Spot 575 XT
9/11	17030015	Magnet D4/2,4mm	Spot 575 XT

Rear Page Sheet 10 of 15

Page/Position	Part number	Part description	Device
10/1	11010069	Holder of lamp-adjusting	Spot 575 XT
10/2	11010070	Central modul 86	Spot 575 XT
10/3	11010073	Stiffener	Spot 575 XT
10/4	11010107	Shielding of fan	Spot 575 XT
10/5	11010108	Shielding - horizontal	Spot 575 XT
10/6	11010109	Rear overlay "3"	Spot 575 XT
10/7	11010247	Weight of head - 1plate	Spot 575 XT
10/8	11010253	Stiffener right	Spot 575 XT
10/9	11010853	Shielding - horizontal for fan	Spot 575 XT
10/10	12020003	Spacer d3,8xD6xL5	Spot 575 XT
10/11	13030049	PCB CNG-4 version "F"	Spot 575 XT
10/12	13050002	Lamp socket GX 9,5	Spot 575 XT
10/13	13050023	Thermostat 110 °C	Spot 575 XT
10/14	13050032	Igniter MSR 400/1200W, Type 208 MZN	Spot 575 XT
10/15	13050076	Spade terminal 6.3 mm	Spot 575 XT
10/16	13050113	Terminal end 7600-02/04	Spot 575 XT
10/17	16030018	Fan KD1209 PTB1-6 OC 92x92x25	Spot 575 XT
10/18	16030021	Fan KDE1204 PFB1-8 40x40 DC12V 0,7W	Spot 575 XT
10/19	17030026	Grill of fan 92x92 mm black	Spot 575 XT
10/20	17030027	Spring compressive 1,25xD8,5xL40	Spot 575 XT
10/21	17030035	Rubber H/2 profile black	Spot 575 XT
10/22	17040125	Holder of socket-with nuts	Spot 575 XT
10/23	18010005	Screw socket head cap M4x12	Spot 575 XT
10/24	18010014	Screw socket head cap M5x45	Spot 575 XT
10/25	18010015	Screw crosswise cup headed M4x8	Spot 575 XT
10/26	18010035	Screw crosswise cup countersink M4x8	Spot 575 XT
10/27	18010037	Screw crosswise cup headed M4x10	Spot 575 XT
10/28	18020001	Screw self-tapping PHILIPS 3,5x9,5	Spot 575 XT
10/29	18020008	Screw self-tapping 4,8x13	Spot 575 XT
10/30	18020009	Screw self-tapping 2,9x6,5	Spot 575 XT
10/31	18040001	Nut M4 black	Spot 575 XT
10/32	18040003	Nut selflock M5	Spot 575 XT
10/33	18040005	Nut M3 black	Spot 575 XT
10/34	18040014	Nut M8 silver	Spot 575 XT
10/35	18050001	Washer M3 black	Spot 575 XT
10/36	18050002	Washer M4 black	Spot 575 XT
10/37	18050008	Washer M8 silver	Spot 575 XT
10/38	18050009	Washer M3 selflock - black	Spot 575 XT
10/39	18050010	Washer M4 star - black	Spot 575 XT
10/40	18520013	Screw self-tapping 2,9x16	Spot 575 XT

Rear Page Sheet 11 of 15

Page/Position	Part number	Part description	Device
11/1	11010073	Stiffener	Spot 575 XT
11/2	11010075	Holder of stiffener	Spot 575 XT
11/3	11010077	Stiffener vertical	Spot 575 XT
11/4	11010105	Module of reflector	Spot 575 XT
11/5	11010106	Holder of dichrofilter - heat protection	Spot 575 XT
11/6	11010253	Stiffener right	Spot 575 XT
11/7	11010977	Centre of reflector th.3mm	Spot 575 XT
11/8	12010004	Spacer D8xL86/2xM4	Spot 575 XT
11/9	12010013	Spacer D8xL27xM4	Spot 575 XT
11/10	12050176	Spacer D10 - teflon	Spot 575 XT
11/11	14010017	Reflector D134 glass	Spot 575 XT
11/12	14070001	Dichrofilter - heat protection 90x45mm	Spot 575 XT
11/13	18010015	Screw crosswise cup headed M4x8	Spot 575 XT
11/14	18010037	Screw crosswise cup headed M4x10	Spot 575 XT
11/15	18020001	Screw self-tapping PHILIPS 3,5x9,5	Spot 575 XT
11/16	18020004	Screw self-tapping 3,9x9,5	Spot 575 XT
11/17	18050002	Washer M4 black	Spot 575 XT

Rear Page Sheet 12 of 15

Page/Position	Part number	Part description	Device
12/1	11010134	Holder of steppermotor "Y"	Spot 575 XT
12/2	11010136	Holder PCB-MHO	Spot 575 XT
12/3	11010137	Arm of head 8	Spot 575 XT
12/4	11010138	Stiffener arm of head 8	Spot 575 XT
12/5	12020826	Spacer D10xd6xL3,8	Spot 575 XT
12/6	12040018	Toothwheel D25	Spot 575 XT
12/7	12040023	Toothwheel D83	Spot 575 XT
12/8	12050035	Holder ball-bearing 1x6005	Spot 575 XT
12/9	12050036	Pivot "Y" axe 6005	Spot 575 XT
12/10	12050703	Spacer of magnet "1"	Spot 575 XT
12/11	13030017	PCB MAG-4 version "A"	Spot 575 XT
12/12	13030024	PCB MHO version "A"	Spot 575 XT
12/13	13030309	PCB EZ872 (without PIC)	Spot 575 XT
12/14	13040464	IC PIC 16C57 Spot 575 XT V 1.0/IC1L	Spot 575 XT
12/15	13040466	IC PIC 16C57 Spot 575 XT V 1.0/IC1R	Spot 575 XT
12/16	13040467	IC PIC 16C57 Spot 575 XT V 1.0/IC2R	Spot 575 XT
12/17	13040577	IC PIC 16C57 Spot 575 XT V 1.1/IC2L	Spot 575 XT
12/18	13050075	Terminal board - 2 parts	Spot 575 XT
12/19	13050076	Spade terminal 6.3 mm	Spot 575 XT
12/20	16010014	Steppermotor 23HS0001 (1Axis)	Spot 575 XT
12/21	17010001	Ball Bearing 6005 2Z	Spot 575 XT
12/22	17020010	Belt 420 RPP3/06	Spot 575 XT
12/23	17030005	Lock ring No.:25	Spot 575 XT
12/24	17030015	Magnet D4/2,4mm	Spot 575 XT
12/25	17030018	Spacer CS10 plastic	Spot 575 XT
12/26	17030028	Cube self-adhesive F0505 HC-101	Spot 575 XT
12/27	17030036	Teflon foil 0,3x45x70 mm	Spot 575 XT
12/28	17030060	Rubber U profile L160 mm black	Spot 575 XT
12/29	17040001	Holder of motor adjustment	Spot 575 XT
12/30	18010001	Screw crosswise cup headed M2x4	Spot 575 XT
12/31	18010007	Screw f. adjusting hexagon socket M4x5	Spot 575 XT
12/32	18010008	Screw crosswise cup headed M3x8	Spot 575 XT
12/33	18010012	Screw crosswise cup headed M3x12	Spot 575 XT
12/34	18010018	Screw socket head cap M6x14	Spot 575 XT
12/35	18010020	Screw socket head cap M5x12	Spot 575 XT
12/36	18010031	Screw crosswise cup headed M3x16	Spot 575 XT
12/37	18010037	Screw crosswise cup headed M4x10	Spot 575 XT
12/38	18010130	Screw socket head cap M6x8	Spot 575 XT
12/39	18020001	Screw self-tapping PHILIPS 3,5x9,5	Spot 575 XT
12/40	18020006	Screw self-tapping countersink 2,9x9,5	Spot 575 XT
12/41	18020007	Screw self-tapping PHILIPS 3,5x13	Spot 575 XT
12/42	18040001	Nut M4 black	Spot 575 XT
12/43	18040005	Nut M3 black	Spot 575 XT
12/44	18040006	Nut M6 black	Spot 575 XT
12/45	18050001	Washer M3 black	Spot 575 XT
12/46	18050003	Washer M4 selflock - black	Spot 575 XT
12/47	18050004	Washer M6 black	Spot 575 XT
12/48	18050005	Washer M6 selflock - black	Spot 575 XT
12/49	18050006	Washer M5 selflock - black	Spot 575 XT
12/50	18050007	Washer M5 black	Spot 575 XT
12/51	19020005	Toothwheel D115,6 type 2 Plastic	Spot 575 XT

Rear Page Sheet 13 of 15

Page/Position	Part number	Part description	Device
13/1	11010044	Movement-stop "X"	Spot 575 XT
13/2	11010135	Fixation steppermotor "X" axe	Spot 575 XT
13/3	11010141	Holder of steppermotor "X"	Spot 575 XT
13/4	11010174	Washer of PCB-MAG	Spot 575 XT
13/5	11010490	Spring ring d32 D46 TI 0,32	Spot 575 XT
13/6	11030218	Holder of axe "X"	Spot 575 XT
13/7	12020826	Spacer D10xd6xL3,8	Spot 575 XT
13/8	12040018	Toothwheel D25	Spot 575 XT
13/9	12040023	Toothwheel D83	Spot 575 XT
13/10	12050038	Holder ball-bearing 2x6005	Spot 575 XT
13/11	12050039	Pivot "X" axe 2x6005	Spot 575 XT
13/12	12050042	Holder Cover of Base - plastic	Spot 575 XT
13/13	12050050	Nut brass M 24x1,5	Spot 575 XT
13/14	12050055	Ring of ball-bearing 6005	Spot 575 XT
13/15	13030019	PCB MAG-6 version "A"	Spot 575 XT
13/16	13030024	PCB MHO version "A"	Spot 575 XT
13/17	16010014	Steppermotor 23HS0001 (1Axis)	Spot 575 XT
13/18	17010001	Ball Bearing 6005 2Z	Spot 575 XT
13/19	17020002	Belt 522 RPP3/06	Spot 575 XT
13/20	17030005	Lock ring No.:25	Spot 575 XT
13/21	17030015	Magnet D4/2,4mm	Spot 575 XT
13/22	17030037	Teflon foil 0,3x70x75 mm	Spot 575 XT
13/23	17030094	Rubber d5 L8	Spot 575 XT
13/24	18010001	Screw crosswise cup headed M2x4	Spot 575 XT
13/25	18010005	Screw socket head cap M4x12	Spot 575 XT
13/26	18010007	Screw f. adjusting hexagon socket M4x5	Spot 575 XT
13/27	18010008	Screw crosswise cup headed M3x8	Spot 575 XT
13/28	18010011	Screw socket head cap M6x10	Spot 575 XT
13/29	18010019	Screw socket head cap M5x14	Spot 575 XT
13/30	18010021	Screw socket head cap M4x45	Spot 575 XT
13/31	18010042	Screw socket head cap M6x20	Spot 575 XT
13/32	18010130	Screw socket head cap M6x8	Spot 575 XT
13/33	18020001	Screw self-tapping PHILIPS 3,5x9,5	Spot 575 XT
13/34	18020002	Screw self-tapping 2,9x9,5	Spot 575 XT
13/35	18040001	Nut M4 black	Spot 575 XT
13/36	18040005	Nut M3 black	Spot 575 XT
13/37	18040006	Nut M6 black	Spot 575 XT
13/38	18050001	Washer M3 black	Spot 575 XT
13/39	18050002	Washer M4 black	Spot 575 XT
13/40	18050004	Washer M6 black	Spot 575 XT
13/41	18050005	Washer M6 selflock - black	Spot 575 XT
13/42	18050006	Washer M5 selflock - black	Spot 575 XT
13/43	18050007	Washer M5 black	Spot 575 XT
13/44	19020005	Toothwheel D115,6 type 2 Plastic	Spot 575 XT

Rear Page Sheet 14 of 15

Page/Position	Part number	Part description	Device
14/1	11010148	Holder of capacitor, AC filter	Spot 575 XT
14/2	11010327	Cover electronic "DMX"	Spot 575 XT
14/3	11010661	Cover of carabine	Spot 575 XT
14/4	11010772	Cover of display	Spot 575 XT
14/5	11010773	Cover heavy-current	Spot 575 XT
14/6	11011198	Overlay of base	Spot 575 XT
14/7	12010015	Spacer D12xL24/M6	Spot 575 XT
14/8	12010020	Spacer D10xL24/M5	Spot 575 XT
14/9	12010021	Spacer D6xL30/2xM3	Spot 575 XT
14/10	12020039	Spacer D6xd3,8xL13	Spot 575 XT
14/11	12050022	Plexiglass f. display "2"	Spot 575 XT
14/12	13010015	Transformer 0000416	Spot 575 XT
14/13	13020013	Ballast AL 575FV	Spot 575 XT
14/14	13030054	PCB Display EZND41 (without PIC,EEPROM)	Spot 575 XT
14/15	13030114	PCB Main EZ862 (without PIC)	Spot 575 XT
14/16	13040502	IC EEPROM 24C64 Spot 575 XT/E V 2.0/IC2	Spot 575 XT
14/17	13040580	IC PIC 17C43 Spot 575 XT DS V 2.2/IC1	Spot 575 XT
14/18	13040583	IC PIC 17C43 Spot 575 XT V 2.2/IC1	Spot 575 XT
14/19	13050011	Capacitor 70M/250V TC 844 PS	Spot 575 XT
14/20	13050047	Switch main H 8650 10A/250V	Spot 575 XT
14/21	13050103	Fuse socket - FGP1	Spot 575 XT
14/22	13050111	Terminal end 7600-03/06 (6,4)	Spot 575 XT
14/23	13050305	Cable grommet BSSP-22 PG9	Spot 575 XT
14/24	13050328	AC Filter FP250/16	Spot 575 XT
14/25	16030017	Fan KD1208 PTB1-6 OC 80x80x25	Spot 575 XT
14/26	17030011	Grill of fan 80x80 mm black	Spot 575 XT
14/27	17030013	Grip-black M.443 N-CH	Spot 575 XT
14/28	17030029	Rubber bushing 20x3	Spot 575 XT
14/29	17030106	Rubber base HEYCO	Spot 575 XT
14/30	18010008	Screw crosswise cup headed M3x8	Spot 575 XT
14/31	18010012	Screw crosswise cup headed M3x12	Spot 575 XT
14/32	18010015	Screw crosswise cup headed M4x8	Spot 575 XT
14/33	18010016	Screw crosswise cup headed M3x6	Spot 575 XT
14/34	18010024	Screw socket head cap M8x25	Spot 575 XT
14/35	18010027	Screw crosswise cup headed M3x20	Spot 575 XT
14/36	18010028	Screw socket head cap M5x55	Spot 575 XT
14/37	18010032	Screw crosswise cup countersink M3x8	Spot 575 XT
14/38	18010037	Screw crosswise cup headed M4x10	Spot 575 XT
14/39	18010044	Screw socket head cap M6x70	Spot 575 XT
14/40	18020001	Screw self-tapping PHILIPS 3,5x9,5	Spot 575 XT
14/41	18020002	Screw self-tapping 2,9x9,5	Spot 575 XT
14/42	18020005	Screw self-tapping 3,9x6,5	Spot 575 XT
14/43	18020008	Screw self-tapping 4,8x13	Spot 575 XT
14/44	18020010	Screw self-tapping countersink 4,8x13	Spot 575 XT
14/45	18040001	Nut M4 black	Spot 575 XT
14/46	18040005	Nut M3 black	Spot 575 XT
14/47	18040014	Nut M8 silver	Spot 575 XT
14/48	18050001	Washer M3 black	Spot 575 XT
14/49	18050002	Washer M4 black	Spot 575 XT
14/50	18050003	Washer M4 selflock - black	Spot 575 XT
14/51	18050004	Washer M6 black	Spot 575 XT
14/52	18050008	Washer M8 silver	Spot 575 XT
14/53	18050013	Washer M6 star - black	Spot 575 XT
14/54	18050014	Washer M5 star - black	Spot 575 XT
14/55	18060040	Rivet blasting countersunk D3,2xL9,5	Spot 575 XT
14/56	18060047	Nut CAMLOC 991R2-1AF	Spot 575 XT
14/57	18520015	Screw self-tapping 3,9x13	Spot 575 XT
14/58	19010006	Plastic part of base T	Spot 575 XT
14/59	99010420	Mounting bracket Omega	Spot 575 XT

Rear Page Sheet 15 of 15

Page/Position	Part number	Part description	Device
15/1	11010148	Holder of capacitor, AC filter	Spot 575 XT
15/2	11010327	Cover electronic "DMX"	Spot 575 XT
15/3	11010661	Cover of carbine	Spot 575 XT
15/4	11010772	Cover of display	Spot 575 XT
15/5	11010773	Cover heavy-current	Spot 575 XT
15/6	11011198	Overlay of base	Spot 575 XT
15/7	12010015	Spacer D12xL24/M6	Spot 575 XT
15/8	12010021	Spacer D6xL30/2xM3	Spot 575 XT
15/9	12020039	Spacer D6xd3,8xL13	Spot 575 XT
15/10	12050022	Plexiglass f. display "2"	Spot 575 XT
15/11	13010088	Transformer 0302362-UL506	Spot 575 XT
15/12	13020013	Ballast AL 575FV	Spot 575 XT
15/13	13030054	PCB Display EZND41 (without PIC,EEPROM)	Spot 575 XT
15/14	13030114	PCB Main EZ862 (without PIC)	Spot 575 XT
15/15	13040502	IC EEPROM 24C64 Spot 575 XT/E V 2.0/IC2	Spot 575 XT
15/16	13040580	IC PIC 17C43 Spot 575 XT DS V 2.2/IC1	Spot 575 XT
15/17	13040583	IC PIC 17C43 Spot 575 XT V 2.2/IC1	Spot 575 XT
15/18	13050011	Capacitor 70M/250V TC 844 PS	Spot 575 XT
15/19	13050047	Switch main H 8650 10A/250V	Spot 575 XT
15/20	13050077	Cable grommet F0602 PG 1610	Spot 575 XT
15/21	13050111	Terminal end 7600-03/06 (6,4)	Spot 575 XT
15/22	13050328	AC Filter FP250/16	Spot 575 XT
15/23	13050411	Fuse socket P37006x32/15A	Spot 575 XT
15/24	16030017	Fan KD1208 PTB1-6 OC 80x80x25	Spot 575 XT
15/25	17030011	Grill of fan 80x80 mm black	Spot 575 XT
15/26	17030013	Grip-black M.443 N-CH	Spot 575 XT
15/27	17030029	Rubber bushing 20x3	Spot 575 XT
15/28	17030106	Rubber base HEYCO	Spot 575 XT
15/29	18010008	Screw crosswise cup headed M3x8	Spot 575 XT
15/30	18010012	Screw crosswise cup headed M3x12	Spot 575 XT
15/31	18010015	Screw crosswise cup headed M4x8	Spot 575 XT
15/32	18010016	Screw crosswise cup headed M3x6	Spot 575 XT
15/33	18010024	Screw socket head cap M8x25	Spot 575 XT
15/34	18010027	Screw crosswise cup headed M3x20	Spot 575 XT
15/35	18010032	Screw crosswise cup countersink M3x8	Spot 575 XT
15/36	18010044	Screw socket head cap M6x70	Spot 575 XT
15/37	18010065	Screw socket head cap M6x90	Spot 575 XT
15/38	18020001	Screw self-tapping PHILIPS 3,5x9,5	Spot 575 XT
15/39	18020002	Screw self-tapping 2,9x9,5	Spot 575 XT
15/40	18020005	Screw self-tapping 3,9x6,5	Spot 575 XT
15/41	18020008	Screw self-tapping 4,8x13	Spot 575 XT
15/42	18020010	Screw self-tapping countersink 4,8x13	Spot 575 XT
15/43	18040001	Nut M4 black	Spot 575 XT
15/44	18040005	Nut M3 black	Spot 575 XT
15/45	18040014	Nut M8 silver	Spot 575 XT
15/46	18050001	Washer M3 black	Spot 575 XT
15/47	18050002	Washer M4 black	Spot 575 XT
15/48	18050004	Washer M6 black	Spot 575 XT
15/49	18050008	Washer M8 silver	Spot 575 XT
15/50	18050013	Washer M6 star - black	Spot 575 XT
15/51	18060040	Rivet blasting countersunk D3,2xL9,5	Spot 575 XT
15/52	18060047	Nut CAMLOC 991R2-1AF	Spot 575 XT
15/53	18520015	Screw self-tapping 3,9x13	Spot 575 XT
15/54	19010006	Plastic part of base T	Spot 575 XT
15/55	99010420	Mounting bracket Omega	Spot 575 XT